

Thermostatic bimetal steam traps

BF24/BF26

Application and Function

The thermostatic bimetal steam traps are generally used to drain Unregulated heating processes like superheater or saturated steam Piping or steam traces.

The bending of the bimetal changes by temperature differences. Thus the valve is opened and closed.

Technical basic equipment

- Steam traps with bimetal columns for increased flow-rate
- With strainer and external adjusting nut (BF26)
- Very good drainage and exhaust characteristics in the entire working area
- Resistant against water shocks and superheated steam
- High expectancy and reliability

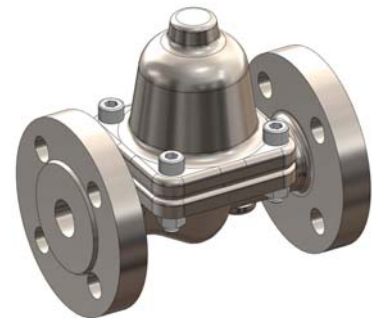
Technical data

Type		BF24	BF26
Nominal diameter	DN	15/20/25	
All. pressure	PS [bar]	22	
All. temperature	TS [° C]	400 (DIN 2401)	
Length	[mm]	DIN EN 26554	
Connection		Flanges as per DIN 2635	
Case material		C22.8 (1.0460)	
Interior parts		Stainless and acid resistant CrNi-steel	
Bimetal		bimetal „RGR“ plated with stainless steel	

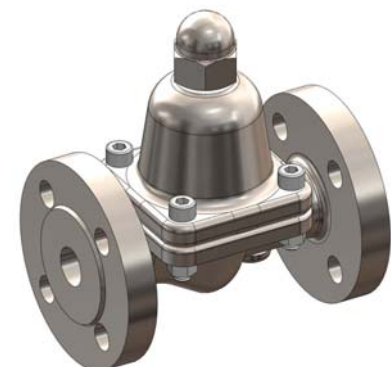
Available (optional) versions

- flanged ends (flanges DIN 2635)
(DN15, DN20 L=150mm and DN25 L=160mm) type BF...
- screwed ends G1/2, G3/4
(L=100mm) type BI...
- welding end DIN3239-D type BS...

BF24



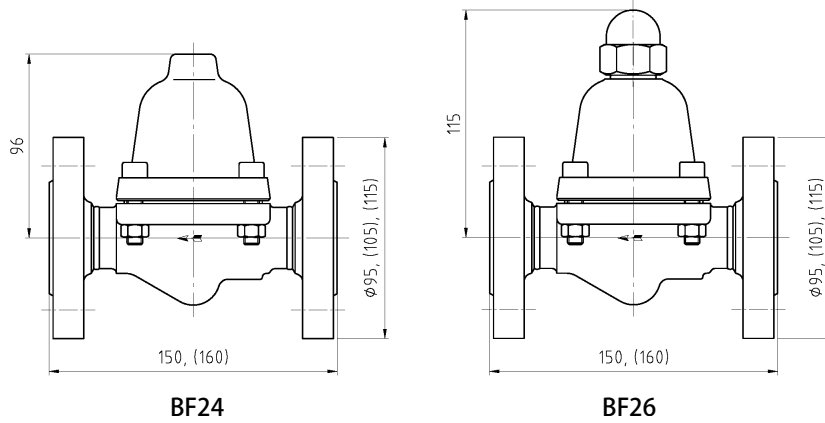
BF26



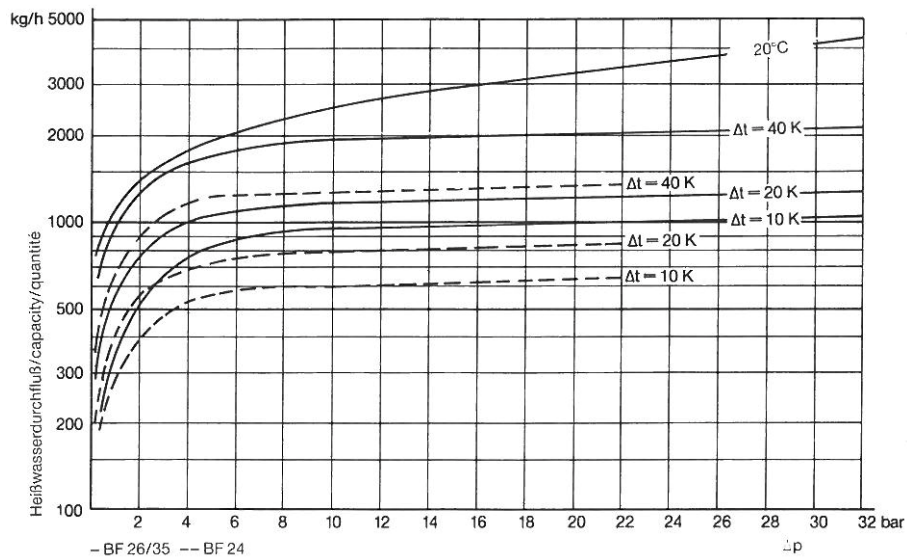
BI26



Dimensions



Capacity



Type	Article-No.	DN	PS [bar]	Spare parts		
				Bimetal column, valve seat with sealing, sealing (cap)	Sealing (cap)	Sealing (cap nut)
				Article-No.	Article-No.	Article-No.
BF24	K-12-10-A1	15	22	15-02758	40-02179	--
	K-12-10-A2	20				
	K-12-10-A3	25				
BF26	K-12-10-I1	15		15-02756	40-02179	40-02194
	K-12-10-I2	20				
	K-12-10-I3	25				

