

Thermostatic bimetal steam traps with integrated sight glasses BF25/BF27

Application and Function

The thermostatic bimetal steam traps are generally used to drain unregulated heating processes with high performance.

The bending of the bimetal changes by temperature differences. Thus the valve is opened and closed.

The sight glasses allow a quick visual function control and consequently an exact adjustment of the operating point.

These steam traps are manufactured in DIN length 150/160 mm and they are a low cost combination of steam trap and sight glass.

Connected with the external adjusting device (BF27) a setting for a special operation is possible, e.g. continuous steam flow or increased piling up.

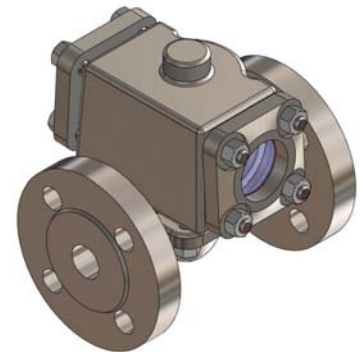
Technical basic equipment

- Steam traps with bimetal columns for increased flow-rate
- With strainer, sight glasses and external adjusting device (BF27)
- Very good drainage and exhaust characteristics in the entire working area
- Resistant against water shocks and superheated steam
- High expectancy and reliability
- Ideal observation possibility through installation of the sight glasses directly on the controller.

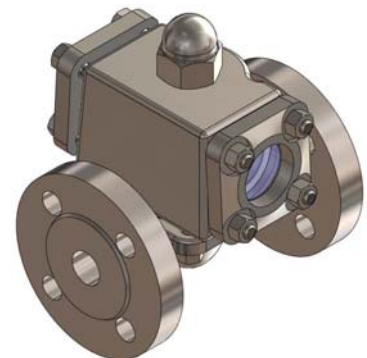
Technical data

Type		BF25	BF27
Nominal diameter	DN	15/20/25	
All. pressure	PS [bar]	22	
All. temperature	TS [° C]	300 (DIN 2401)	
Length	[mm]	DIN EN 26554	
Connection		flanges as per DIN 2635	
Case material		C22.8 (1.0460)	
Interior parts		stainless and acid resistant CrNi-steel	
Bimetal		bimetal „RGR“ plated with stainless steel	

BF25



BF27



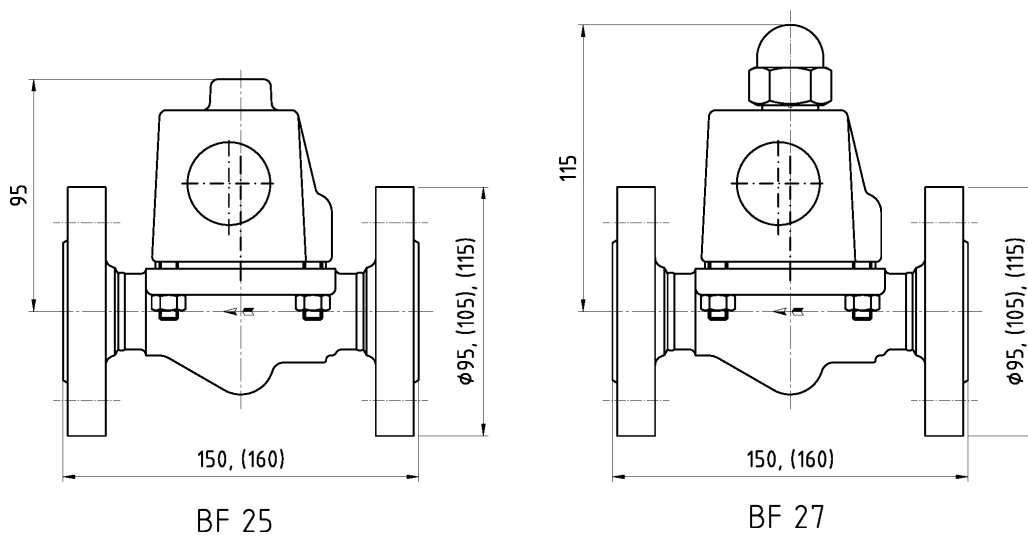
BI27



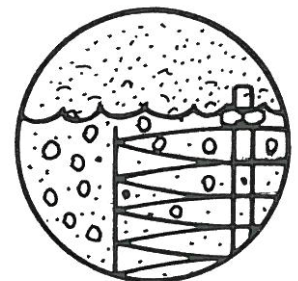
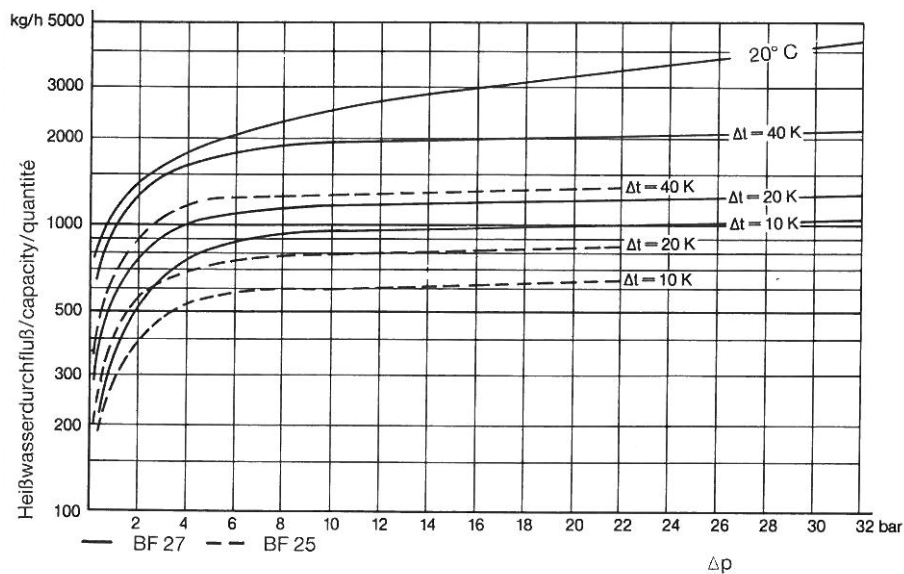
Available (optional) versions

- flanged ends (flanges DIN 2635)
(DN15, DN20 L=150mm and DN25 L=160mm) type BF...
- screwed ends G1/2, G3/4
(L=100mm) type BI...
- welding end DIN3239-D type BS...

Dimensions



Capacity





Type	Article no.	DN	PS [bar]	Bimetal column, valve seat with sealing, sealing ring (cap)	Sealing ring (cap)	Sight glasses with sealings	Sealing (cap nut)		
				Article no.	Article no.	Article no.	Article no.		
BF25	K-12-10-B1	15	22	15-02758	40-02179	15-02767	--		
	K-12-10-B2	20							
	K-12-10-B3	25							
BF27	K-12-10-J1	15		15-02756			40-02179	15-02767	40-02194
	K-12-10-J2	20							
	K-12-10-J3	25							

