

Thermostatic bimetal steam traps type BF54/BS54

Application and function

The thermostatic bimetal steam traps are generally used to drain unregulated heating processes like superheated or saturated steam piping specifically for high temperatures and pressures.

The bending of the bimetal changes by temperature differences. Thus the valve is opened and closed.

Technical basic equipment

- Steam trap with bimetal column
- Specific overload protection for bimetal column
- Strainer
- Exzellent drainage and exhaust characteristics in the entire working area
- Resistant against water hammer and superheated steam
- High expectancy and reliability

Technical data

Type		BF54	BS54
Nominal diameter	DN	15/25	
All. pressure	PS [bar]	30-70	
All. temperature	TS [° C]	450 (DIN 2401)	
Dimension	[mm]	DIN EN 26554R4, DN25R3	
Connection		Flanges as per DIN	Welding end as per DIN 3239D
Housing		15Mo3 (1.5415)	
Inner parts		Corrosion and acid resistant CrNi-steel	
Bimetal		Bimetal „RGR“ plated with stainless steel	

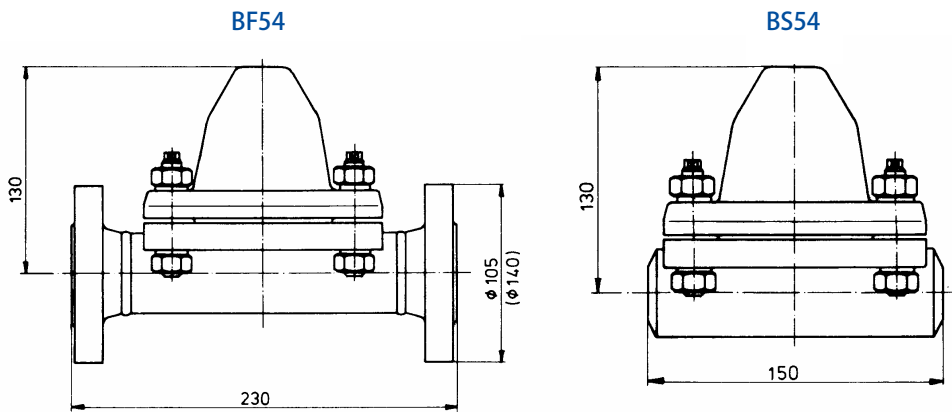
BF54



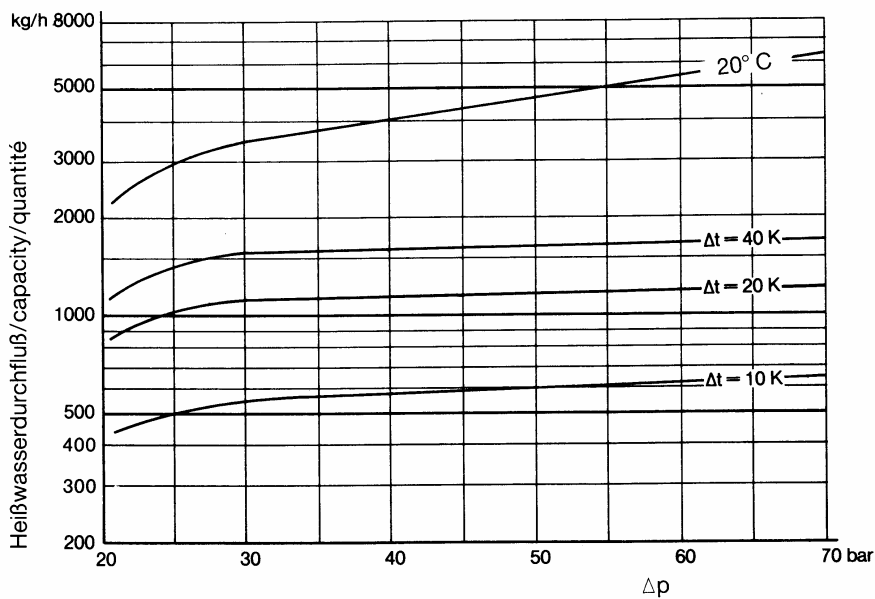
BS54



Dimension



Capacity



Type	Article no.	DN	PS [bar]	Spare parts
				Bimetal column with sealings
				Article no.
BF54	K-12-10-G1	15	30-70	15-02770
	K-12-10-G3	25		
BS54	K-12-10-G4	15	30-70	
	K-12-10-G6	25		

