

Reflex level gauge LG40-x2

One sight opening, lateral connection

Application and function

The reflex level gauge is a direct level gauge which can be used for steam boilers and containers. In the sight opening, the water level is indicated dark and the steam light.

The product corresponds to the EU 2014/68/EU.

Applied standards : complies with the DIN EN standards or ASME-Boiler.

x = Quantity of shutoff possibilities (valve)

Technical basic equipment

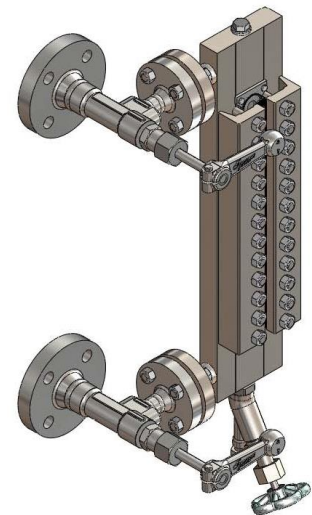
- Body material carbon steel
- Sight lengths see table
- As left sided (mapped) or right sided model
- With drain valve and ventilation plug
- Shutoff valves A130 or A220
- Drain valve type AV500

Available (optional) versions

- Body material stainless steel
- Body material according to ASTM
- Other drain valve on request

Technical data

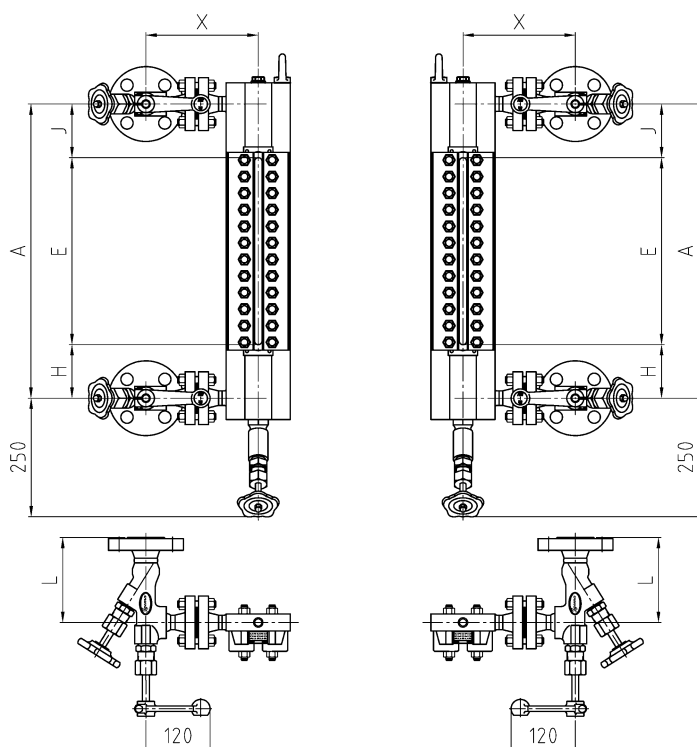
All. pressure	PS	[bar]	32	
All. temperature	TS	[° C]	239	
Drain valve	Type	AV500	Data sheet	D-09-D-16358-0
	Type	A130		D-09-D-16354-0
	Type	A220		D-09-D-16356-0



Dimensions

Left side model

Right side model



Size		5	6	7	8	9	10
Sight lengths	E [mm]	200	230	260	300	320	350
Dimension	H/J _{min} [mm]	25					
	H/J _{max} [mm]	On request					
	X [mm]	210					

Allowable pressure PS [bar]	Valve	Flange	L [mm]	Welding end	L1 [mm]
32	A130	DN20 DIN 2635-C	120		
32	A130	DN25 DIN 2635-C	120		
32	A130			DN20 DIN 3229	175
32	A220	DN20 DIN 2635-C	170		
32	A220	DN25 DIN 2635-C	150		
32	A220			DN25 DIN 3229	175

