

Bicolour level gauge type black-white

one sight opening, swivel connection

Application and function

The bicolour level gauge black-white is a direct level gauge with illumination and can be used for steam generators. For best results, observe the liquid level standing directly in front of the sight opening.

In the sight opening, the height of the liquid level is indicated in black and the steam space in white.

The product corresponds to the EU 2014/68/EU.

Applied standards : complies with DIN EN standards or ASME-Boiler.

Technical basic equipment

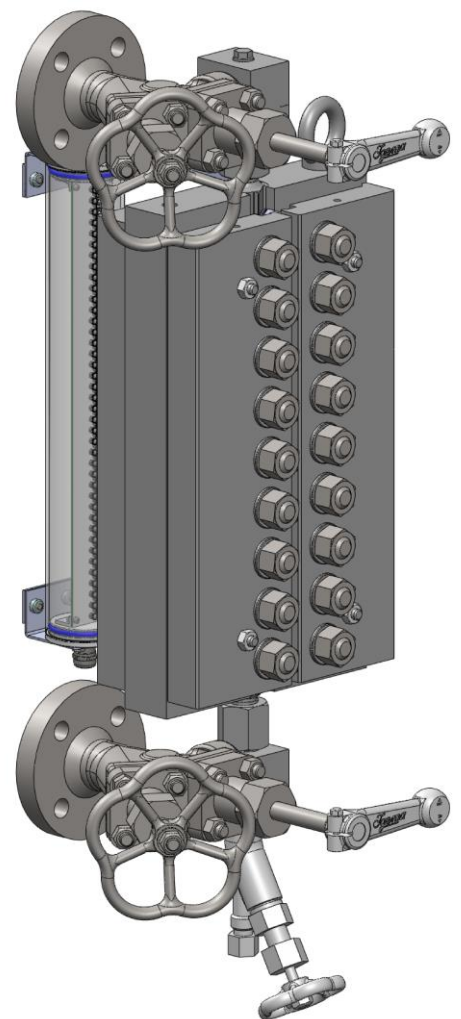
- Body material carbon steel
- As left sided (mapped) or right sided model
- Sight length see table
- With drain valve and ventilation plug
- Illumination device IP67
- Shutoff valves type A220 and A240
- Drain valve type AV500, AV 520

Available (optional) versions

- Body material according to ASME
- Other drain valve

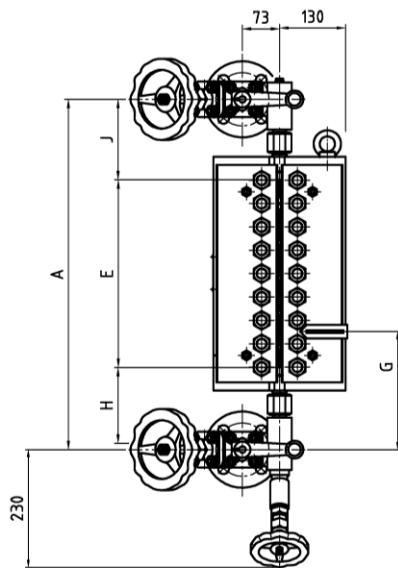
Technical data

All. pressure	PS [bar]	32	50	80	100	160	200
All. Temp..	TS [° C]	239	265	296	312	348	367
Shut off valve	Type	A210			A230		
	Data Sheet	D-09-D-16356-1			D-09-D-16357-0		
Drain valve	Type	AV500		AV520			
	Data Sheet	D-09-D-16358-0					
Illumination							
Protective LED-light tube							
IP67 230V / 50Hz oder 110-120V / 60Hz							
Without switch box				D-A1-D-18931-0			
With standard switch box				D-A1-D-20722-0			

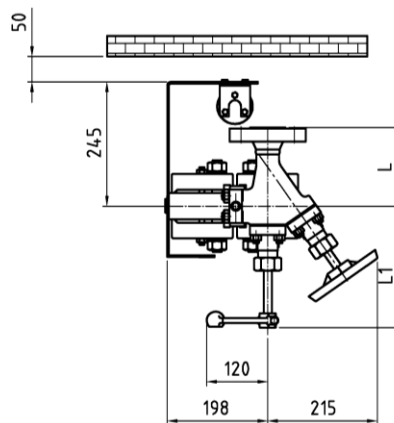
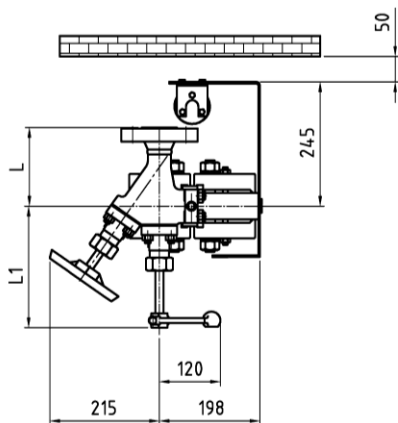
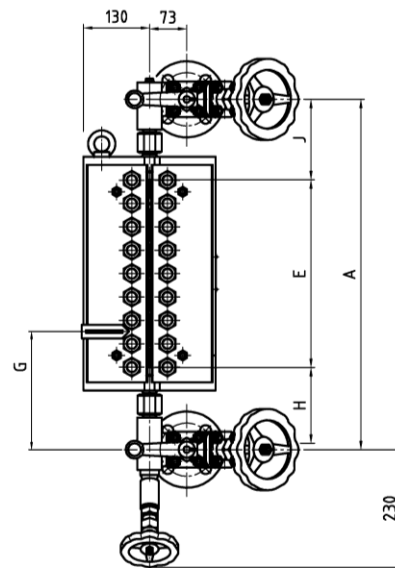


Dimensions and tables

Left sided model



Right sided model



Size		5	6	7	8	9	10	11
Sight length	E	190	220	250	280	310	330	370
Dimension	H/J _{min} [mm]	115						
	H/J _{max} [mm]	On request						



Information:

Depending on the size and version of the level gauge the customer has to arrange a sufficient brace support (eg. spring suspension etc.).



Dimensions and tables

Allowable pressure PS [bar]	Valve	Flange	L [mm]	Welding end	L [mm]	X [mm]
32	A210	DN20	170	DN20		240
50	A140	DN25	129	DN25		240
80	A140	DN 25	129	DN25		260
80	A210	DN25	160	DN25	160	260
100	A230	DN25	145	DN25	150	260
160	A230	DN25	160	DN25	150	260
200	A230	DN25	170	DN25	150	330

