

## Drain Valve

Single Shut off

**PS32 / PS250**  
Type: AV100 and AV250

### Application & Function

Drain Valves are used for fluid-discharging or venting. Drain Valves are suitable for all Level Indicators and float switches.

### Technical Basic Equipment

- Flow DN 8
- Input: male thread G ½ BSP
- Output: Cutting Ring Fitting ø 12 mm
- Main Body: Carbon Steel
- Internal Parts: Niro
- Hand Wheel: Plastic

### Options

- Carbon Steel Hand Wheel

### Technische Daten

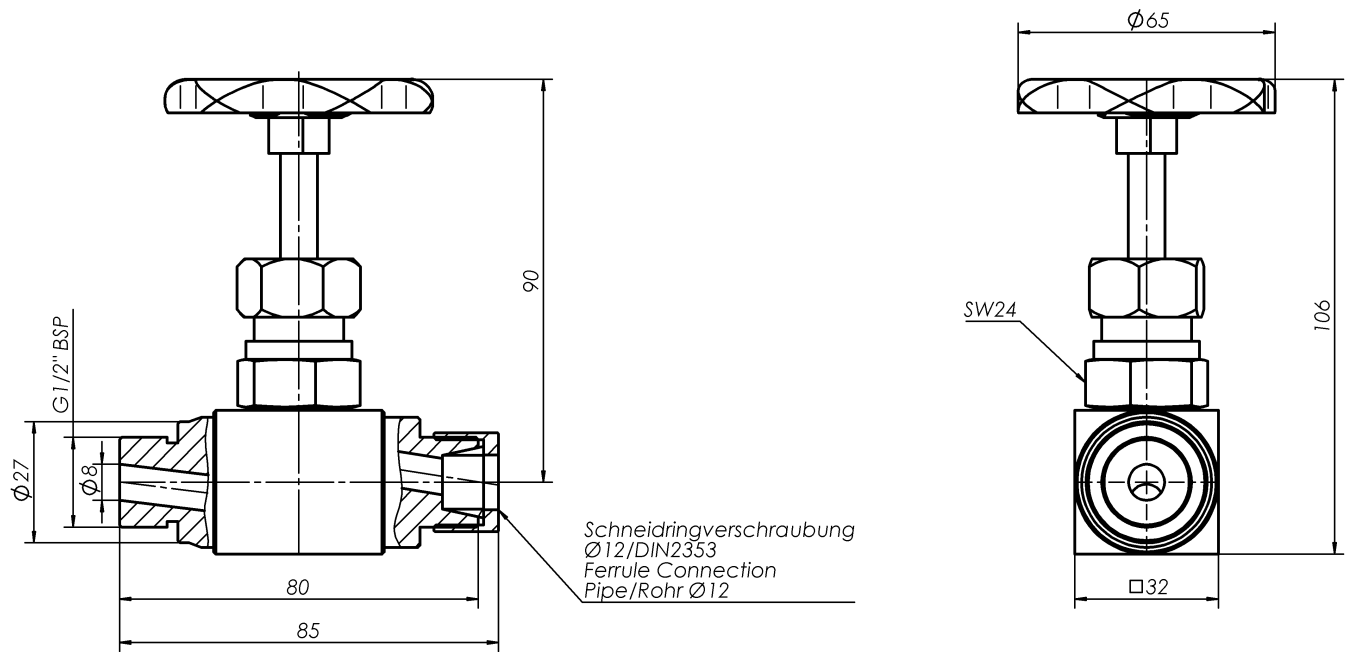
		AV100		AV250*	
Max. Pressure	PS	32 bar	464,1 psi	183 bar	2654,19 psi
Max. Temp.	TS	239 °C	462,2 °F	370 °C	698 °F
Article number		40-11307		-	

\*coming soon

Drain Valve AV100



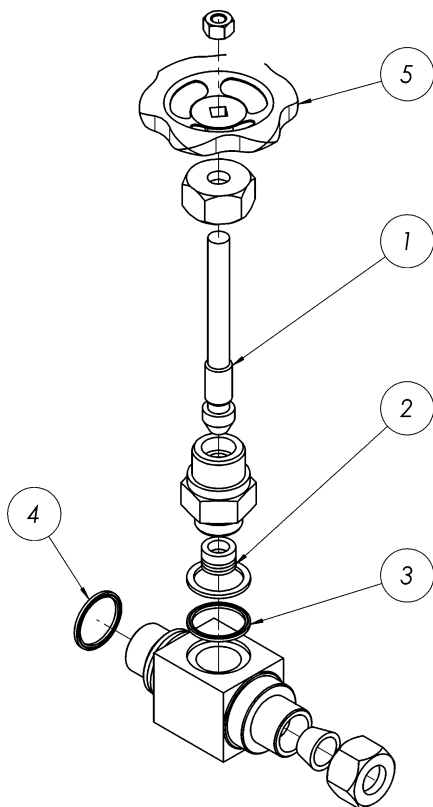
Drain Valve AV100



Drain Valve AV250\*

\*coming soon

Spare Part List



Pos-Nr.	Nomination	Article-Nr.	Quantity
1	Spindle with seat trim	40-11308	1
2	Packing	40-11309	1
3	Seal Ring $\varnothing 20 \times \varnothing 24 \times 1,5$ mm	40-01873	1
4	Seal Ring $\varnothing 21 \times 26 \times 1,5$ mm	40-00099	1
5	Hand Wheel	-	1