

## Drain valve type AV580, AV585

### Application and function

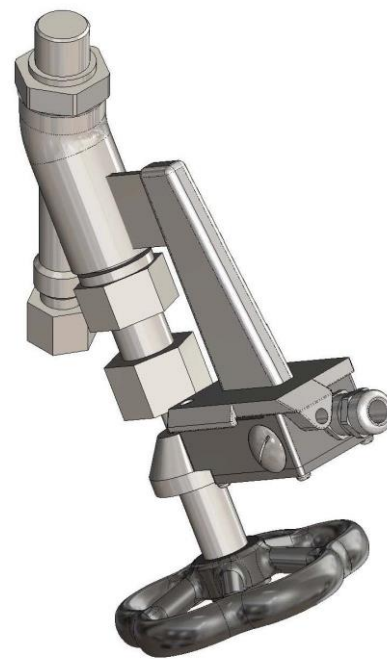
The drain valve is used to drain instruments or to drain fillings of instruments. The area of application comprises with the entire product range of float switches.

### Technical basic equipment

- Inlet: male thread G 1/2
- Outlet: cutting ring connection  $\varnothing$  12 mm (DIN 2353-DS12)
- Body material: carbon steel as per DIN or ASME
- Inner parts of valve: stainless steel,
- Handwheel carbon steel (up to PS = 32 bar)  
resp. aluminium up to PS = 200 bar

### Technical data

		AV580		AV585				
Allowable pressure	PS [bar]	20	32	50	80	100	160	200
Allowable temperature	TS [° C]	215	239	265	296	312	348	367
Handwheel	$\varnothing$ [mm]	80		110				
Cable gland		M16x1,5 as per DIN46320						



If required, the position of the sensor can be turned by 90 degree

