

Shut-off Valve Series-CS PS32 / PS120

Single Shut off Type: A120-CS and A140-CS

Application & Function

Shut-off valves are used to shut off the indicator safely to the Vessel/Steam Boiler. Shut-off valves are suitable for the whole product range of Reflex-, Transparent- and Bi-Colour Gauges up to PS 120 bar.

Single Shut-off valve are actuated with quick closing spindle with hand lever. The Valve is equipped with self-closing ball for automatic shut off.

Technical Basic Equipment

- Valve Body in Carbon Steel
- Internal parts in Niro
- Hand Lever (Aluminium) with quick closing spindle (1/3 rotation)
- Process Connection DN20/DN25
- With self-closing ball
- Back seat for easing gland packing

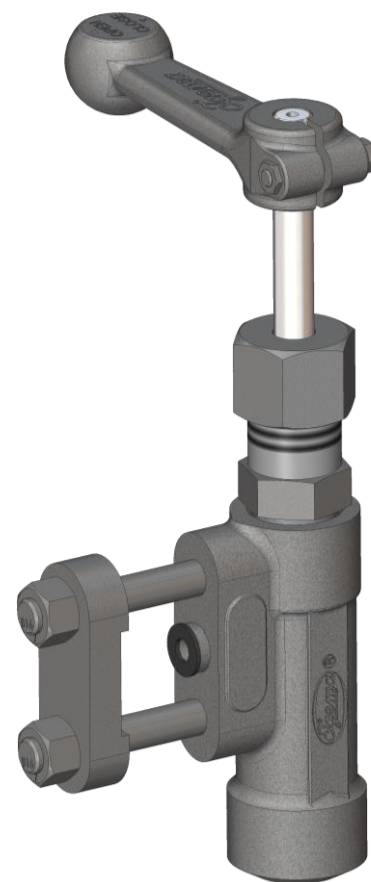
Options

- Lever for remote control (eg. by chainwheel)
- Specific process connections

Technical Data

		A120-CS		A140-CS	
Max. Pressure	PS	32bar	464,1 psi	120bar	1740,5 psi
Max. Temp.	TS	239°C	462,2°F	326°C	618,8°F

Shut off Valve Series-CS

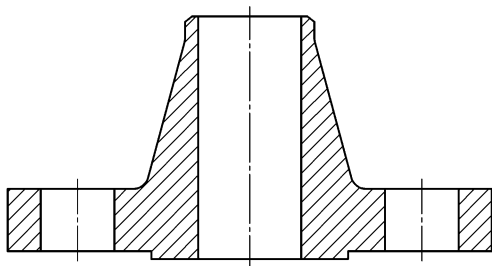


Available process connections*

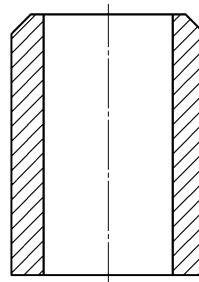
	Shut Off Valve	Type	DN	PN	Wall Thickness acc. DIN EN 10253-2	Dimension	L (mm)	Article number
DIN	A120-CS	Flansch EN 1092-1	20	40	-	-	5	15-12656
	A120-CS	Flansch EN 1092-1	25	40	-	-	5	15-10773
	A140-CS	Flansch EN 1092-1	25	160	-	-	46	15-13673

	Shut Off Valve	Type	NPS	Class	Schedule nach ASME B36.10	Dimension	L (mm)	Article number
ASME	A120-CS	Flansch B16.5	1/2"	300	-	-	110	15-14179
	A120-CS	Flansch B16.5	1"	300	-	-	139	15-13037
	A140-CS	Flansch B16.5	1"	150	-	-	37	15-13876

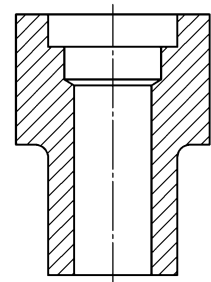
* Specific Process connections on request

Process Connections


Flange DIN EN 1092-1
Flange ASME B16.5

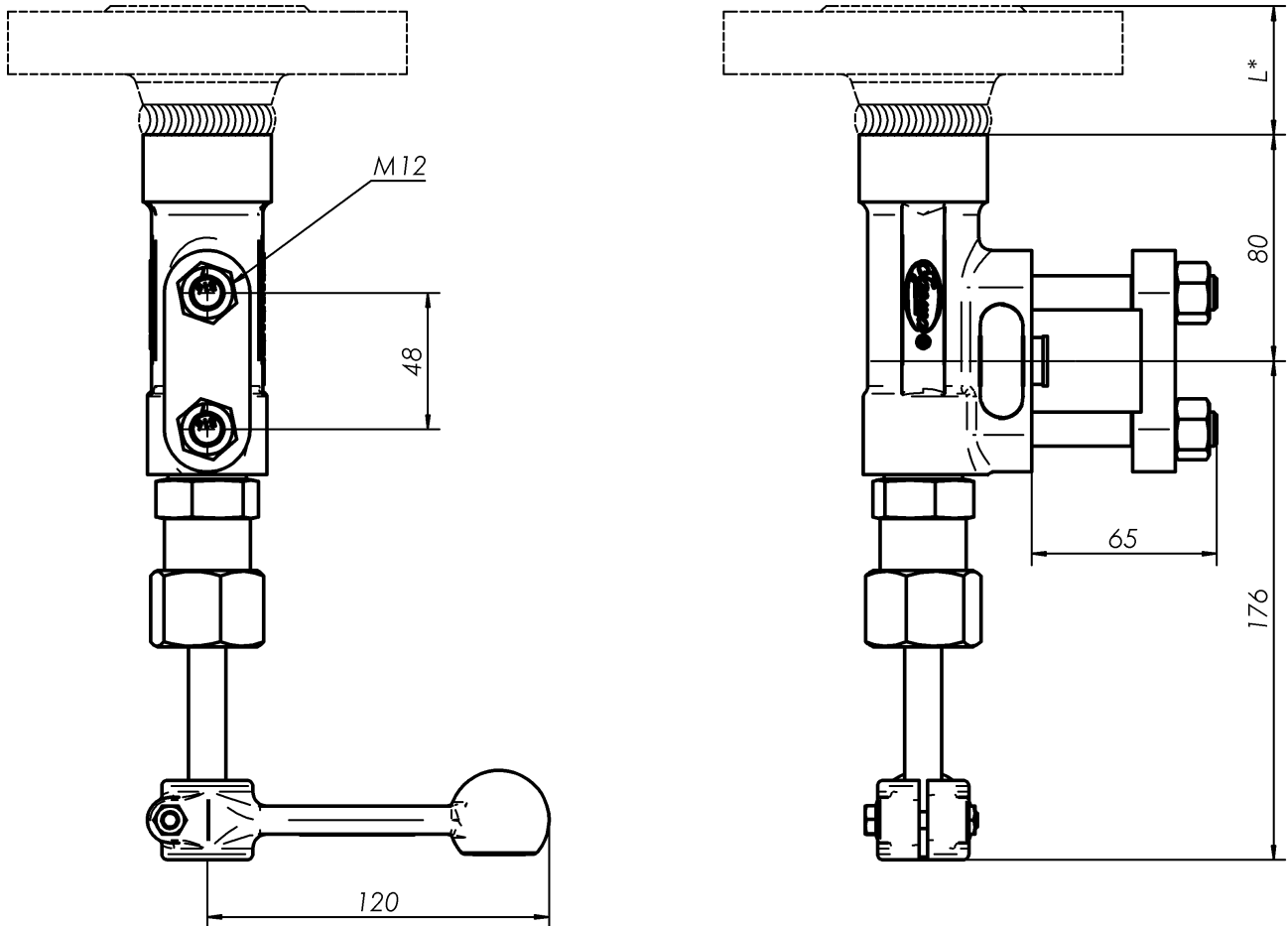


Butt Welding DIN 3239
But welding ASME 16.25



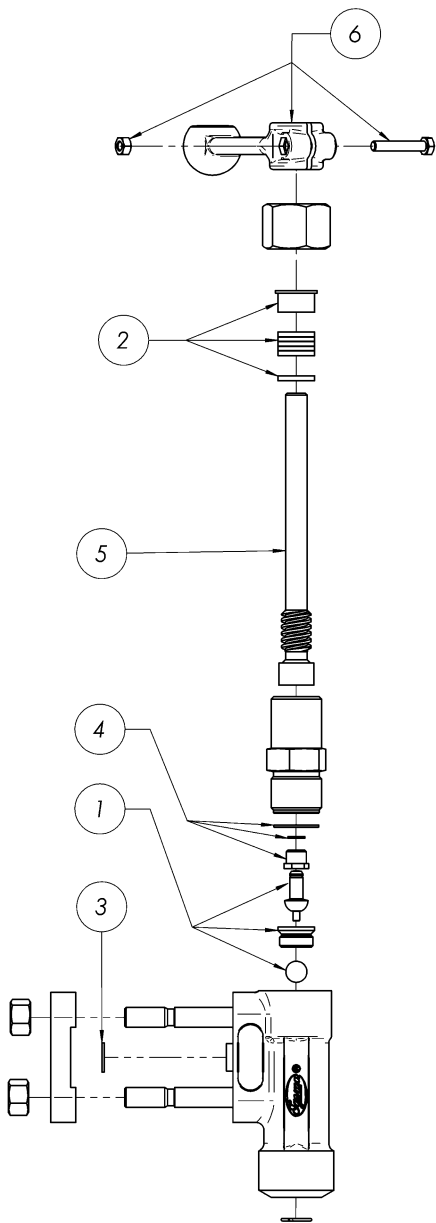
Socket Welding DIN EN 10241
Socket welding ASME B16.11

Overview of dimensions



Dimension „L“ is listed in the table on page 2.

Spare Part List



Pos-Nr.	Bezeichnung	Artikel-Nr.	Menge
1	Seat Trim, Plug and Ball	15-00116	1
2	Packing	15-00113	1
3	Seal Ring $\varnothing 9 \times \varnothing 17,5 \times 1,5$ mm	40-00109	1
4	Seal Ring $\varnothing 22 \times \varnothing 27,5 \times 1,5$ mm	40-00117	1
5	Spindle	25-00126	1
6	Hand Lever Set	25-00102	1