

Shut-off Valve

PS120 / PS200

Double Shut-off

Type: A210, A220, A230, A240

Application & Function

Shut-off valves are used to shut off the indicator safely to the Vessel/Steam Boiler. Shut-off valves are suitable for the whole product range of Reflex-, Transparent- and Bi-Colour Gauges up to PS 200 bar.

Double Shut-off valve are actuated with quick closing spindle with hand lever and normal Spindle with Hand wheel. The Valve is equipped with self-closing ball for automatic shut off.

Technical Basic Equipment

- Valve Body in Carbon Steel
- Internal parts in Niro
- With self-closing ball
- Back seat for easing gland packing
- Hand Lever (Aluminium) with quick closing spindle (1/3 rotation)
- Hand Wheel (Stahl) with Normal spindle
- Listed process connection according to DIN or ASME

Options

- Specific process connections

Technical Data

		A210		A220		A230		A240	
Zulässiger Druck	PS	120 bar	1740,5 psi	120 bar	1740,5 psi	200 bar	5322,9 psi	200 bar	5322,9 psi
Zulässige Temperatur	TS	326°C	618,8°F	326°C	618,8°F	367°C	692,6°F	367°C	692,6°F

A210



A220



A230



A240

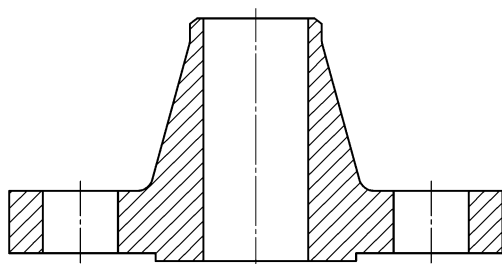
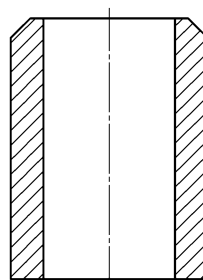
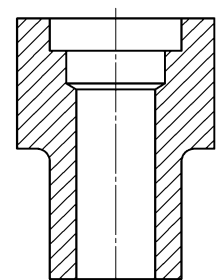


Available process connections *

	Shut Off Valve	Type	DN	PN	Article number	Wall Thickness acc. DIN EN 10253-2	Dimension	L (mm)
DIN	A210	Flansch EN 1092-1	20	40	15-14182	-	-	170
	A210	Flansch EN 1092-1	25	100	15-14309	-	-	155
	A210	Flansch EN 1092-1	25	250	15-14313	-	-	165
	A220	Flansch EN 1092-1	25	100	15-04351	-	-	159
	A220	Flansch EN 1092-1	25	160	15-13717	-	-	159
	A230	Flansch EN 1092-1	25	250	15-00434	-	-	155
	A240	Flansch EN 1092-1	25	250	15-06733	-	-	155
	A210	Anschweißende DIN EN 10253-2	-	-	15-10964	EN-Reihe 2	Ø33,7x2,6	160
	A210	Anschweißende DIN EN 10253-2	-	-	15-03402	EN-Reihe 3	Ø33,7x3,2	160
	A220	Anschweißende DIN EN 10253-2	-	-	15-03696	EN-Reihe 3	Ø33,7x3,2	160
	A220	Anschweißende DIN EN 10253-2	-	-	15-10294	EN-Reihe 4	Ø33,7x4	160
	A230	Anschweißende DIN EN 10253-2	-	-	15-12959	EN-Reihe 7	Ø33,7x6,3	150
	A240	Anschweißende DIN EN 10253-2	-	-	15-12836	EN-Reihe 6	Ø33,7x5,6	150

	Shut Off Valve	Type	NPS	Class	Article number	Schedule acc. ASME B36.10	Dimension	L (mm)
ASME	A210	Flansch B16.5	3/4"	300	15-14309	-	-	154
	A210	Flansch B16.5	1"	300	15-06509	-	-	155
	A220	Flansch B16.5	3/4"	300	15-01265	-	-	185
	A220	Flansch B16.5	1"	600	15-04015	-	-	160
	A230	Flansch B16.5	1"	1500	15-01897	-	-	162
	A240	Flansch B16.5	1"	1500	15-01897	-	-	162
	A240	Flansch B16.5	1"	1500	15-01897	-	-	162
	A240	Flansch B16.5	2"	6000	15-01897	-	-	162
	A210	Anschweißende B16.25	1"	3000	15-04119	-	-	167
	A240	Anschweißende B16.25	1"	3000	15-14045	-	-	157
	A240	Anschweißende B16.25	2"	6000	15-13381	-	-	162

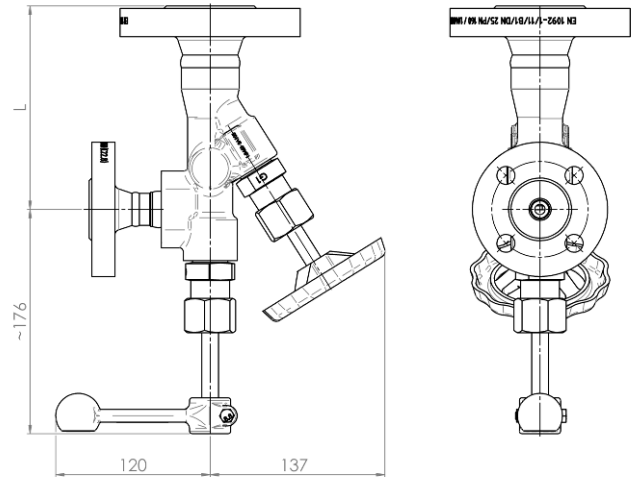
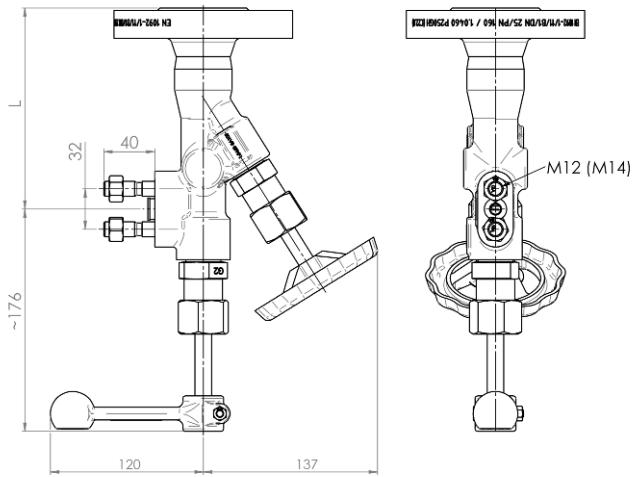
*Specific Process connections on request

Process Connections

 Flange DIN EN 1092-1
 Flange ASME B16.5

 Butt Welding DIN 3239
 Butt Welding ASME 16.25

 Socket Welding DIN EN 10241
 Socket Welding ASME B16.11


Overview of dimensions

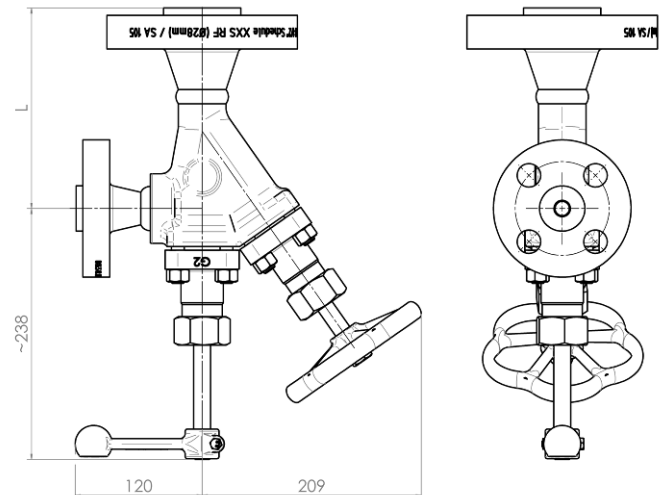
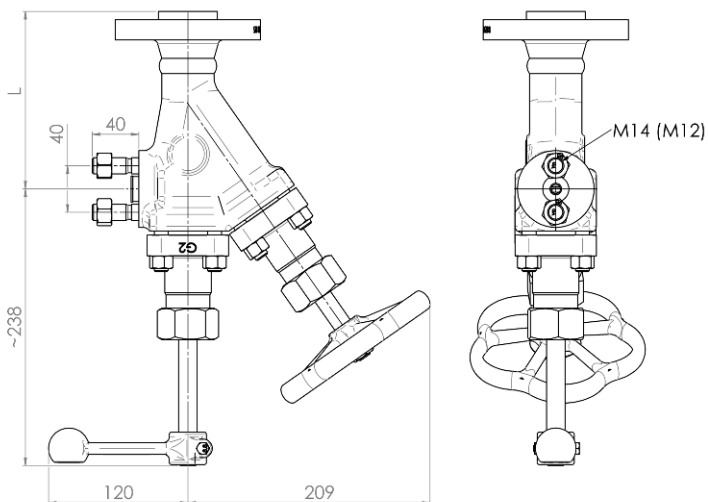
Double Shut-off- Valve A210

Double Shut-off- Valve A220



Double Shut-off- Valve A230

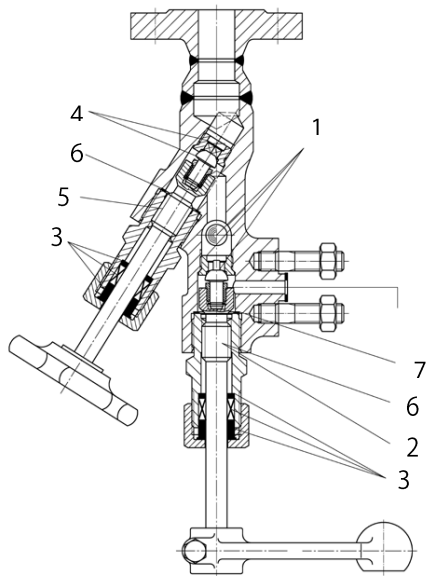
Double Shut-off- Valve A240



Dimension „L“ is listed on the table on page 2.

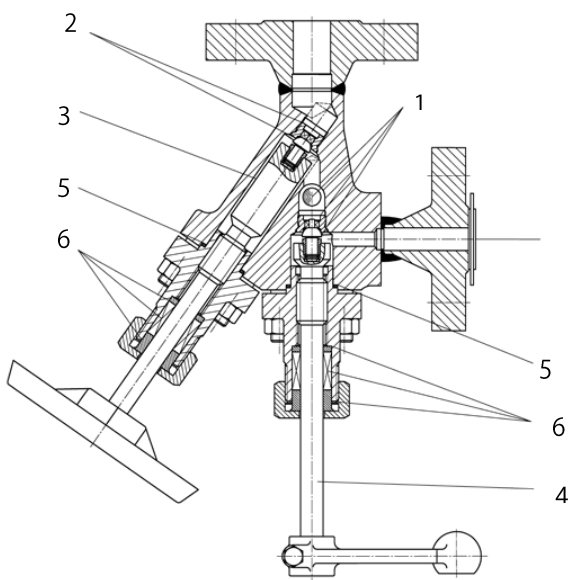
Spare Part List

Spare Parts for Shut off Valve A210 and A220



Pos-Nr.	Nomination	Article-Nr.	Quantity
1	Seat Trim, Plug and Ball	15-00115	1
2	Quick Closing Spindle	25-00126	1
3	Packing	15-00113	2
4	Seat Trim and Plug	15-00114	1
5	Spindle	25-00652	1
6	Seal Ring	40-00117	2
7	Seal Ring	40-00109	1

Spare Parts for Shut off Valve A230 and A240



Pos-Nr.	Nomination	Article-Nr.	Quantity
1	Seat Trim, Plug and Ball	15-00115	1
2	Seat Trim and Plug	15-00114	1
3	Spindle	25-00653	1
4	Seat Trim and Plug	25-00654	1
5	Seal Ring	40-00119	2
6	Packing	15-00112	2